

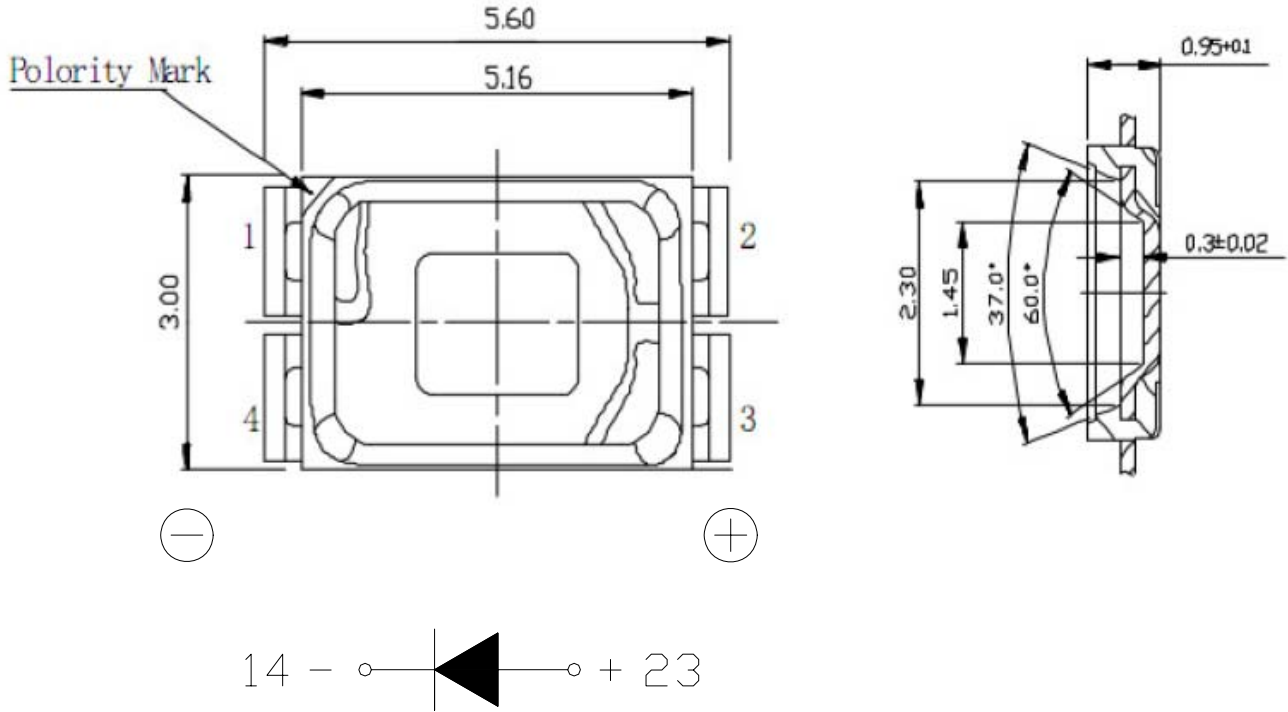


SHARLIGHT ELECTRONICS CO., LTD.

SPECIFICATION FOR APPROVAL

Part No. : SLM-5630UR40-31-aq

Package Dimensions



Part NO.	Chip Material	Lens Color	Emission Color
SLM-5630UR40-31-aq	AlGaInP	White	Red

Notes:

1. All dimensions are in millimeters (inches).
2. Tolerance is $\pm 0.25\text{mm}(.010\text{'})$ unless otherwise noted.
3. Specifications are subject to change without notice.



SHARLIGHT ELECTRONICS CO., LTD.

SPECIFICATION FOR APPROVAL

Part No. : SLM-5630UR40-31-aq

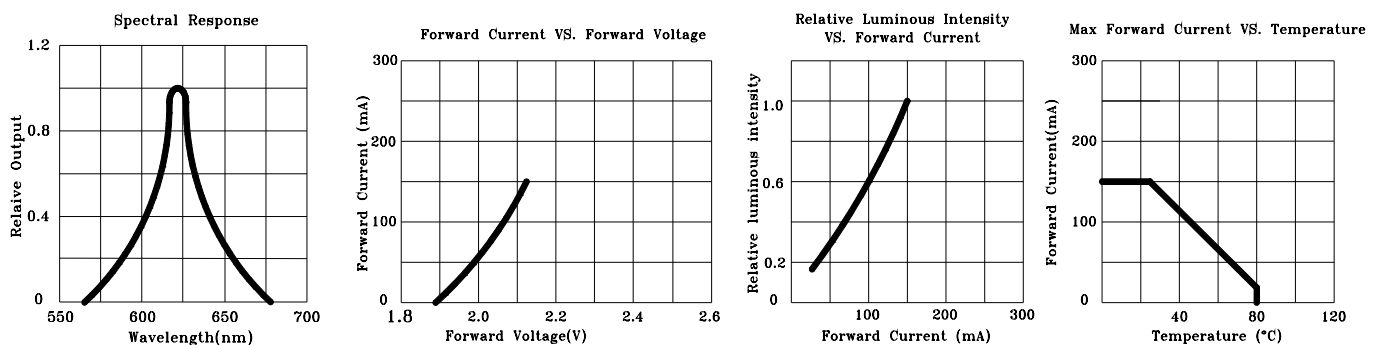
Absolute Maximum Ratings at TA=25°C

Parameter	Maximum Rating	Unit
Power Dissipation	500	mW
Peak Forward Current (1/10 Duty Cycle, 0.1ms Pulse Width)	500	mA
Continuous Forward Current	150	mA
Reverse Voltage	5	V
Operating Temperature Range	-20°C to + 80°C	
Storage Temperature Range	-40°C to + 80°C	
Lead Soldering Temperature	260°C for 5seconds	

Electrical / Optical Characteristics at TA=25°C

Parameter	Symbol	Min.	Typ.	Max.	Unit	Test Condition
Luminous Intensity	IV	4000	5000		mcd	IF = 150mA
Lumen Performance	Φ	9	11		lm	IF = 150mA
Viewing Angle	2θ 1/2		120		deg	IF = 150mA
Dominant Wavelength	λ d	620		630	nm	IF = 150mA
Forward Voltage	VF		2.0	2.5	V	IF = 150mA
Reverse Current	IR			10	μA	VR = 5V

TYPICAL ELECTRON-OPTICAL CHARACTERISTIC CURVES 25°C Free Air Temperature Unless Otherwise Specified



LISTER : 王貴蘭 05-16-13

EDITOR : 周素華 05-16-13

DATE : 05-16-13

REV : A